



# GLOBEFAN TECHNOLOGY CO., LTD.

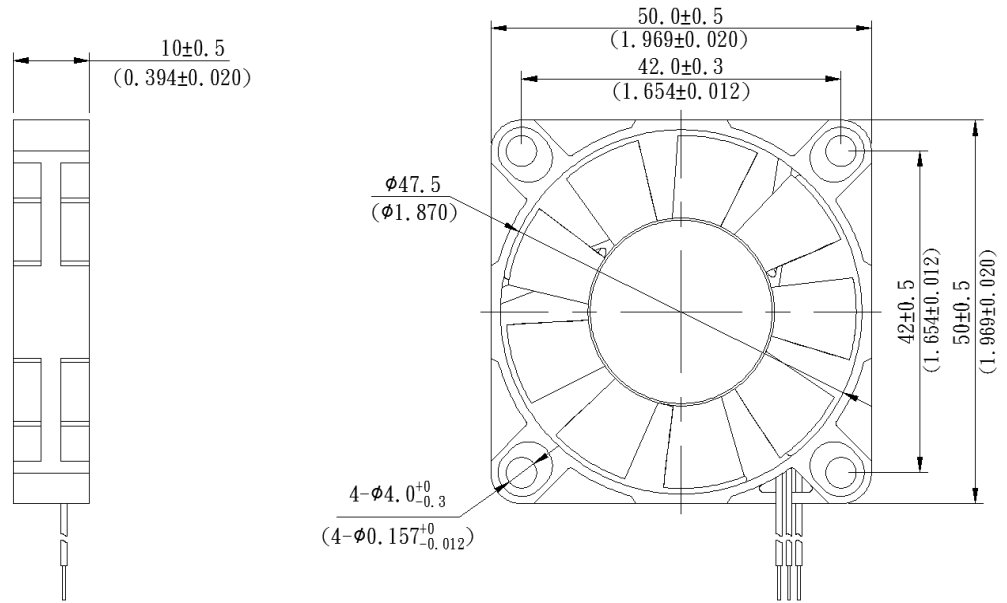
No. 28, 3 Lane Zhongxinjin Road, Jin Industry District Shoei Koou Village,

Da Laang Town, Dungenan City, Guangdong Province, China

Tel : +86 769 83182898~9

Fax : +86 769 83182897

## ◆ DIMENSIONS DRAWING



### \* BEARING TYPE

- Ball bearing
- Sleeve bearing

### \* Electrical Function

- Frequency Generator Output Signal
- RD (Lock Detection) Output Signal
- 

### \* Material

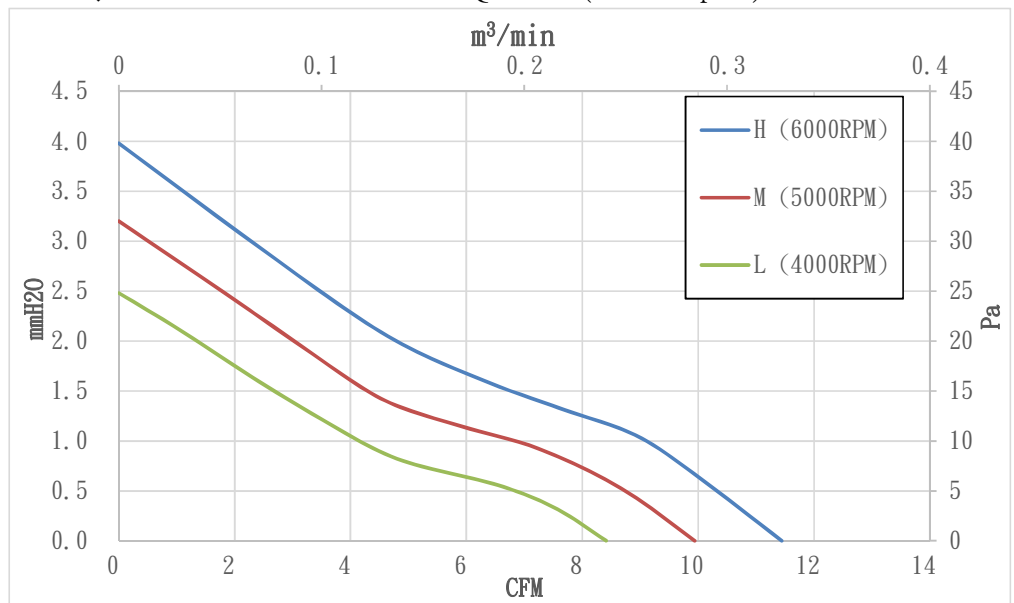
Impeller: Plastic (PBT 30%GF)  
Frame : Plastic (PBT 30%GF)

### \* Lead wires

UL1007 26AWG or Equivalent  
Black Wire Negative (-)  
Red or Yellow Wire Positive (+)  
White Wire Signal (FG)

\* Weight : 21g (0.74 oz)

### ◆ 50x50x10mm DC Axial Fan P/Q Curves (At rated speed)



MODEL	Operating Voltage Range	Rated Voltage	Rated Current	Rated Input Power	Speed	Maximum Air Flow		Maximum Air Pressure		Noise
Part No.	VDC	VDC	Amp	Watts	R.P.M	m <sup>3</sup> /min	CFM	mmH <sub>2</sub> O	Pa	dB(A)
B/S0501005H	3.5 ~5.5	5	0.30	1.5	6000±10%	0.34	11.94	4.28	41.97	39.8
B/S0501005M	3.5 ~5.5	5	0.20	1.0	5000±10%	0.28	9.94	3.20	31.38	35.4
B/S0501005L	3.5 ~5.5	5	0.15	0.8	4000±10%	0.24	8.41	2.48	24.32	29.1
B/S0501012H	5 ~13.8	12	0.15	1.8	6000±10%	0.34	11.94	4.28	41.97	39.8
B/S0501012M	5 ~13.8	12	0.10	1.2	5000±10%	0.28	9.94	3.20	31.38	35.4
B/S0501012L	7 ~13.8	12	0.06	0.7	4000±10%	0.24	8.41	2.48	24.32	29.1

\* Function type is optional.

\* The max. air flow and speed are measured in free air; max. air pressure is measured at close to zero air flow.

\* Noise is measured in anechoic chamber in free air, one meter from intake side.

\* All readings are typical values at rated voltage.

\* Specifications are subject to change without notice.